

## Contact Information

ADD: Anfeng Industry Zone, Oubei Town,  
Yongjia County, Wenzhou City, Zhejiang, China

Tel: +86-577-57666870  
Fax: +86-577-57679885  
Cell: +86-158-6772-9999  
Web: <http://www.verspec.com>  
E-mail: [info@verspec.com](mailto:info@verspec.com)  
Skype ID: verspec



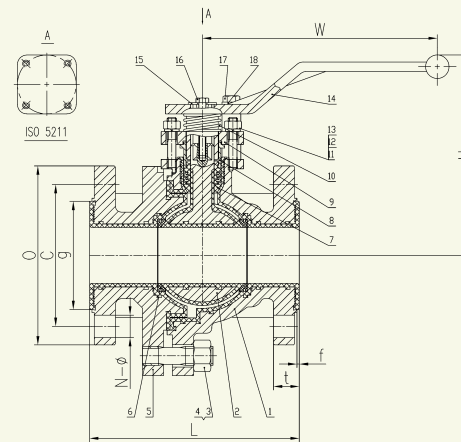
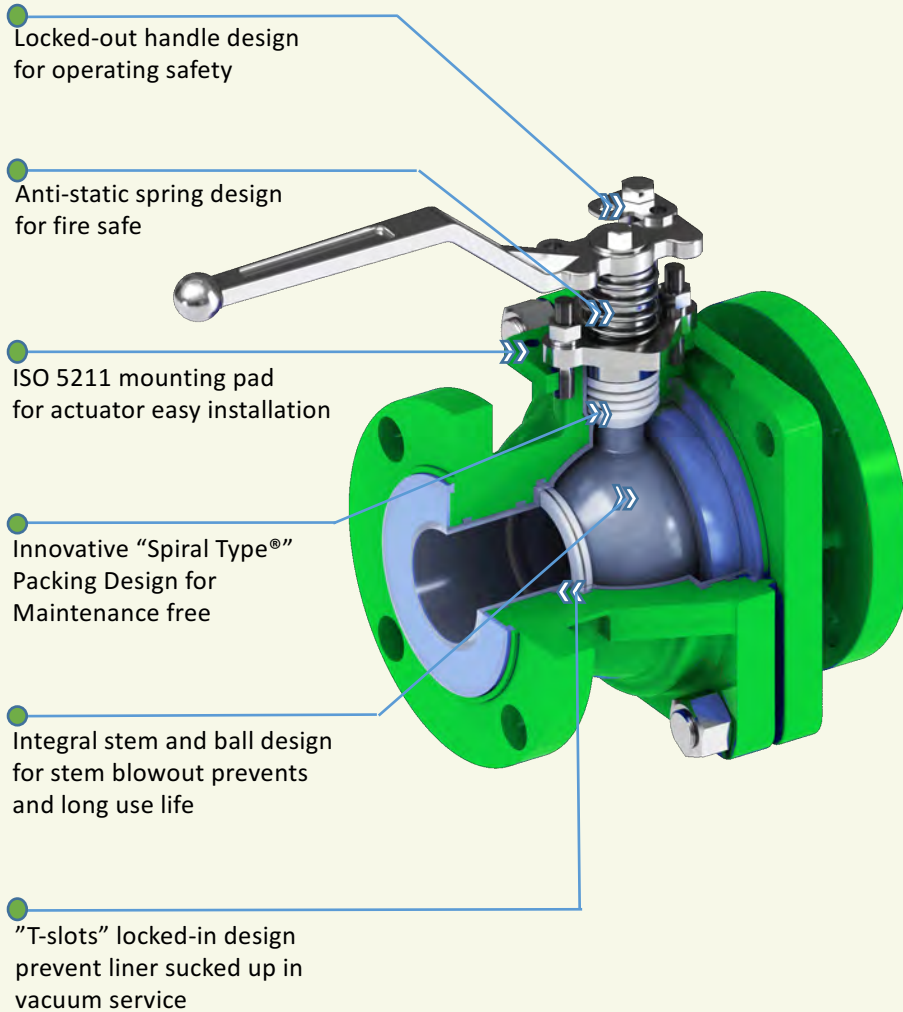
## ASME Standard PFA Lined Ball Valve



VerSpec Valve Moyan Co.,Ltd.

<http://www.verspec.com>

## ASME Standard PFA Lined Ball Valve



### Specification

|                         |                          |
|-------------------------|--------------------------|
| Design Standards        | ASME, JIS, DIN, GB       |
| Available Body Material | WCB, CF8, CF8M, Titanium |
| Liner thickness         | > 3mm                    |
| Lining Material         | PFA, PTFE, FEP, PO       |
| Available Temperature   | -20°C~150°C              |
| Spark Test              | 14 KV                    |

### Flow Coefficient (CV)

| NPS | ½" | ¾" | 1" | 1 ¼" | 1 ½" | 2"  | 2 ½" | 3"  | 4"   | 5"   | 6"   | 8"   | 10"  |
|-----|----|----|----|------|------|-----|------|-----|------|------|------|------|------|
| CV  | 14 | 14 | 55 | 55   | 210  | 310 | 310  | 684 | 1546 | 1546 | 3262 | 4565 | 4565 |

### Opening Torque(N.M)

| NPS | ½" | ¾" | 1" | 1 ¼" | 1 ½" | 2" | 2 ½" | 3" | 4"  | 5"  | 6"  | 8"  | 10"  |
|-----|----|----|----|------|------|----|------|----|-----|-----|-----|-----|------|
| NM  | 10 | 10 | 10 | 10   | 20   | 25 | 25   | 85 | 120 | 120 | 320 | 700 | 1550 |

### ASME B16.34 CLASS 150 Dimension Data

| NPS  | L   | o   | c     | g   | t    | f | N-Φ   | H   | W   | ISO5211 |
|------|-----|-----|-------|-----|------|---|-------|-----|-----|---------|
| ½"   | 108 | 89  | 60.5  | 35  | 11.5 | 2 | 4-15  | 126 | 160 | F05     |
| ¾"   | 117 | 98  | 70    | 43  | 13   | 2 | 4-15  | 126 | 160 | F05     |
| 1"   | 127 | 108 | 79.5  | 51  | 15.5 | 2 | 4-15  | 131 | 160 | F05     |
| 1 ¼" | 140 | 117 | 89    | 64  | 16   | 2 | 4-15  | 131 | 160 | F05     |
| 1 ½" | 165 | 127 | 98.5  | 73  | 18   | 2 | 4-15  | 160 | 160 | F07     |
| 2"   | 178 | 152 | 120.5 | 92  | 22   | 2 | 4-19  | 170 | 200 | F07     |
| 3"   | 203 | 190 | 152.5 | 123 | 27   | 2 | 4-19  | 230 | 260 | F07     |
| 4"   | 229 | 229 | 190.5 | 157 | 27   | 2 | 8-19  | 265 | 313 | F10     |
| 6"   | 267 | 279 | 241.5 | 212 | 29   | 2 | 8-22  | 347 | 535 | F12     |
| 8"   | 292 | 345 | 298.5 | 265 | 29   | 2 | 8-22  |     |     | F14     |
| 10"  | 330 | 405 | 362   | 320 | 30   | 2 | 12-26 |     |     | F14     |

Note: Data "H & W" is only for reference