

Contact Information

ADD: He Yi Industry Park, Wuxing Industrial Zone, Oubei Town,
Yongjia County, Wenzhou City, Zhejiang, China

Tel: +86-577-67678989

Fax: +86-577-67678989

Cell: +86-158-6772-9999

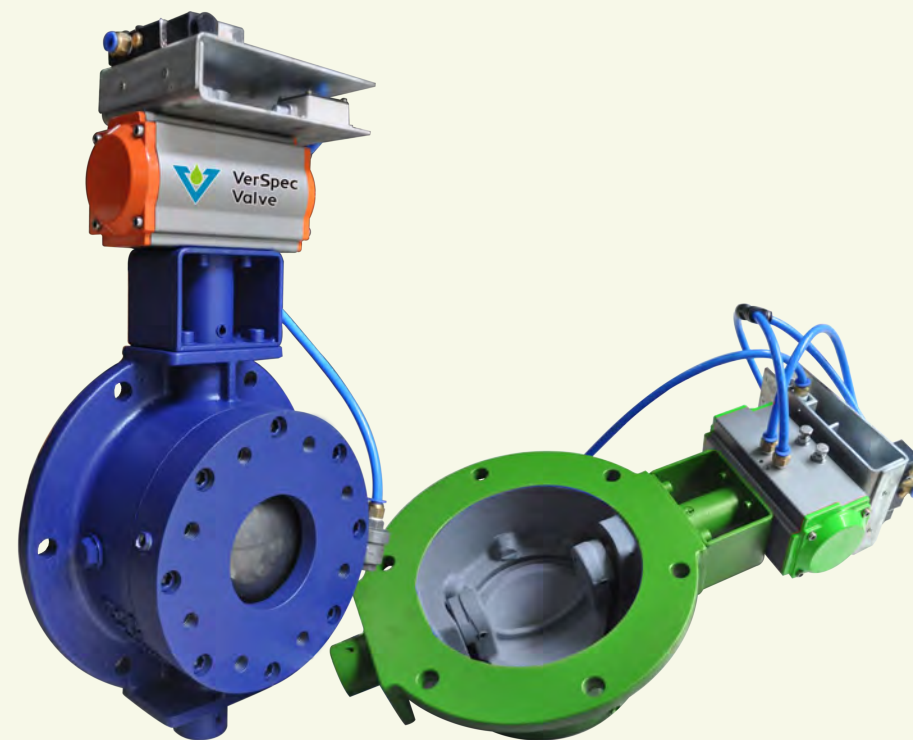
Web: <http://www.verspec.com>

E-mail: info@verspec.com

Skype ID: verspec



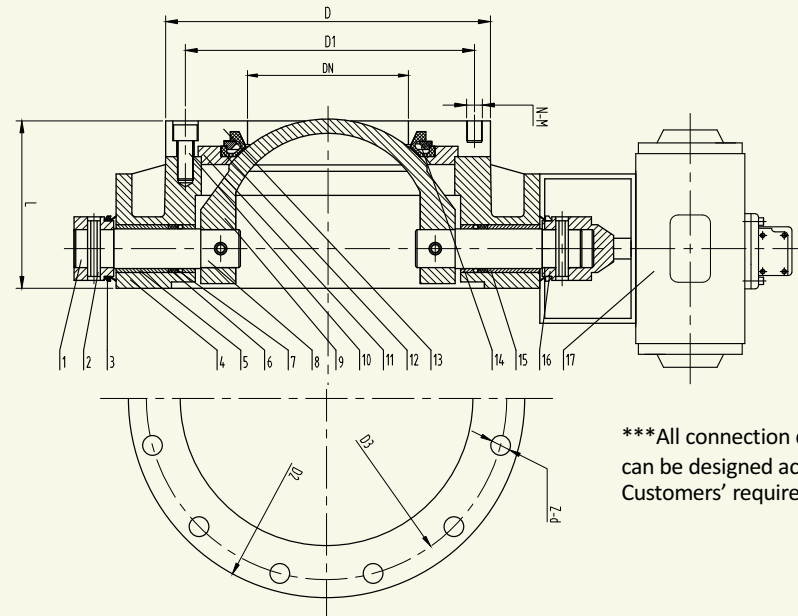
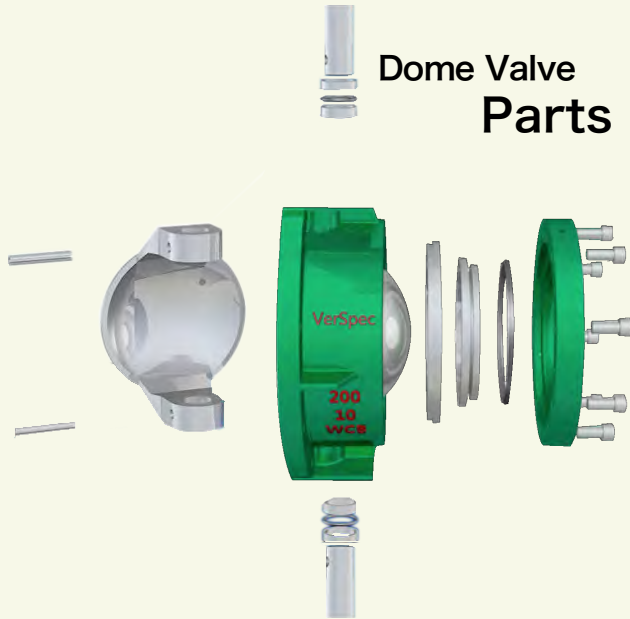
Pneumatic Actuator Customized Dome Valve



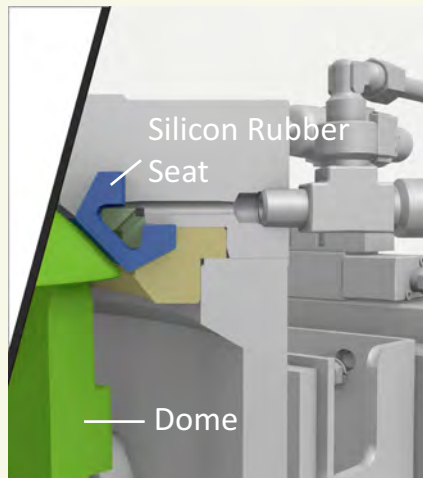
VerSpec Valve Wenzhou Co.,Ltd.

<http://www.verspec.com>

Dome Valve Parts Diagram



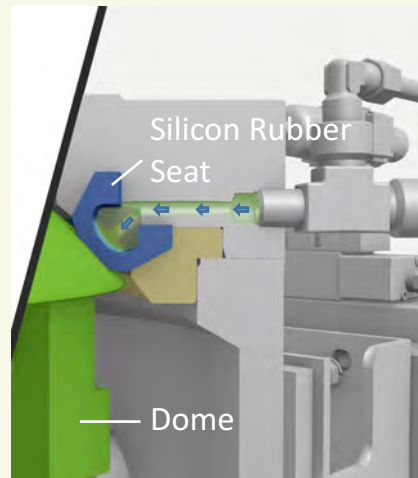
***All connection dimensions can be designed according to Customers' requirements.



Dome Opening or Closing

The seal automatically deflates during opening and closing, thereby avoiding contact with the dome and eliminating unnecessary wear.

1



Dome Closed

The silicon rubber seal automatically inflates only when the dome is in fully closed position.

2

Item	Part Name	Item	Part Name
1	Down Stem Bushing	10	Socket Head Screw
2	Pin	11	Pressing Ring
3	Dust-proof Sleeve	12	Seat (Inflatable Seal)
4	Body	13	Bonnet
5	Big Copper Bushing	14	Retainer Ring
6	Sealing Ring	15	Small Copper Ring
7	O Ring	16	Up Stem Bushing
8	Stem	17	Pneumatic Actuator
9	Ball (Dome)		

Size Range: 3"-30"
 Pressure: PN10
 Body: WCB or SS
 Dome: WCB + Cr Plating
 WCB + ENP
 WCB + Tungsten Carbide
 Seal: Silicon Rubber
 Application: mainly used for power station coal ash Transmission systems.

